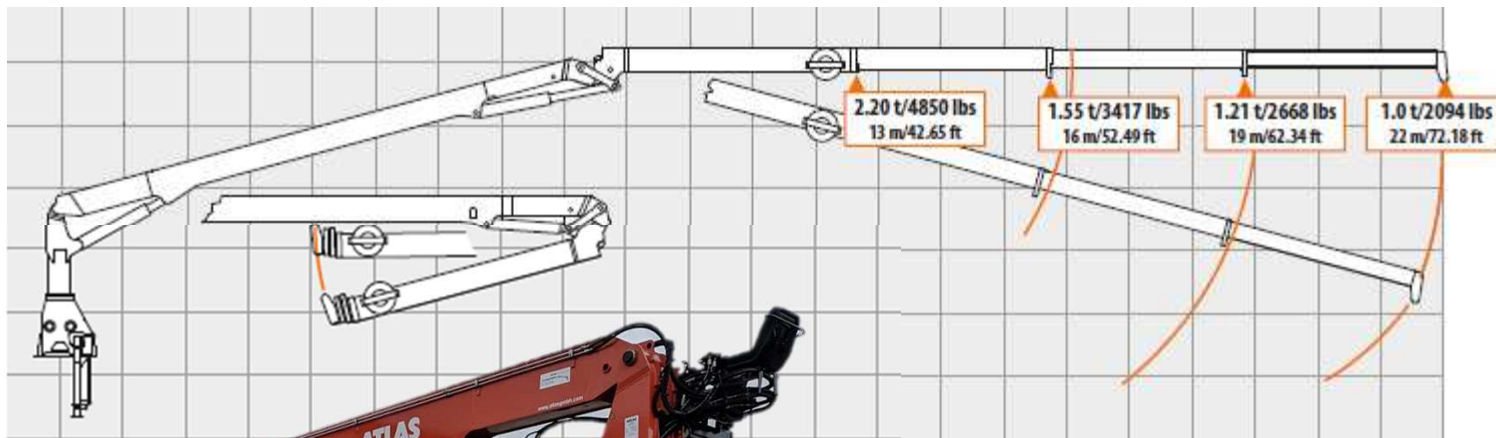


# ATLAS

CRANES



## ATLAS 440V CS



### Standard Features Include:

- Built Specifically for the Poured Wall Industry
- (3) Hydraulic Extensions to 73' & 2,200 lb. Capacity
- Double Rack & Pinion Slewing System
- Top Seat Controls (Radio Remote Option)
- 12V Hydraulic Oil Cooler
- Hydraulic Rotator & Load Hook
- XL Outriggers (25' Spread)
- Short Lead Times

Call Dan Sullivan Jr. at 215-723-6771 or email at [dsullivanjr@telford55.com](mailto:dsullivanjr@telford55.com)